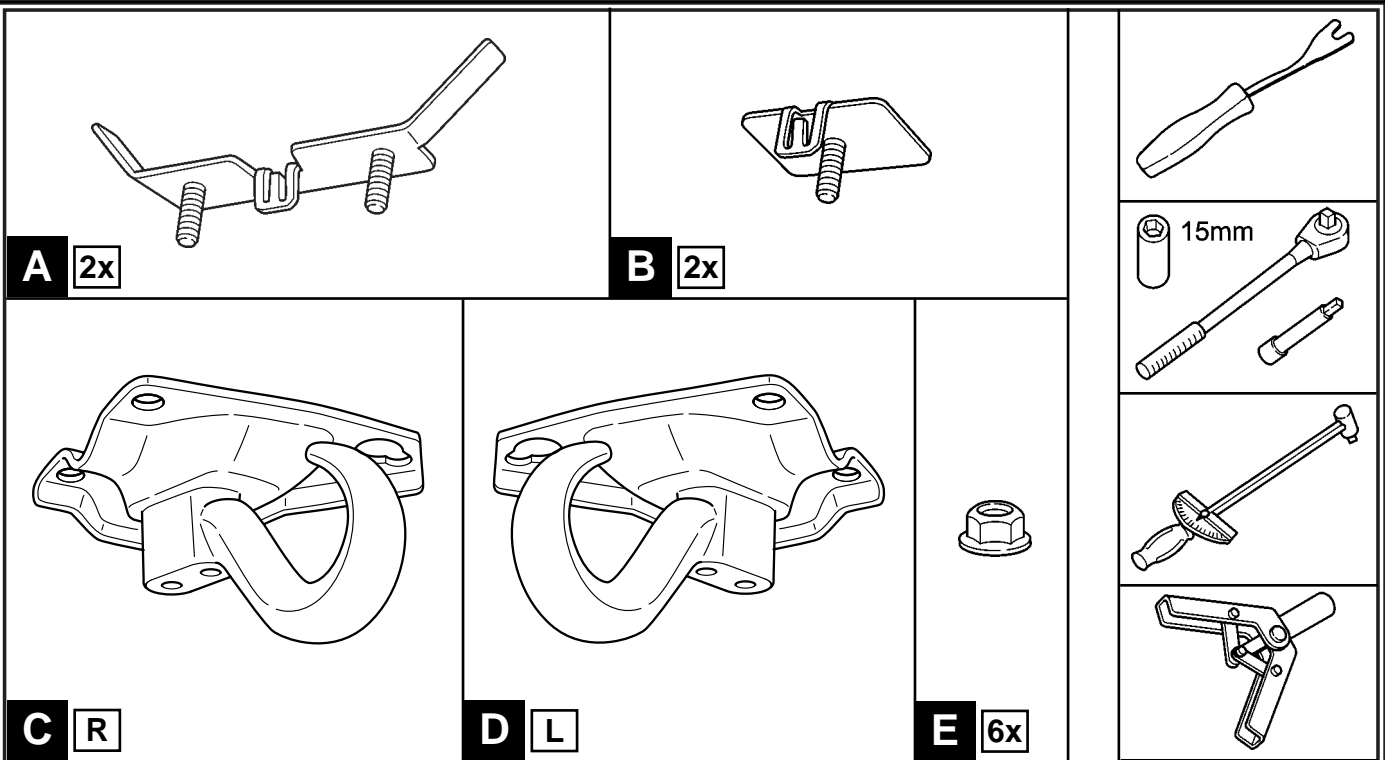




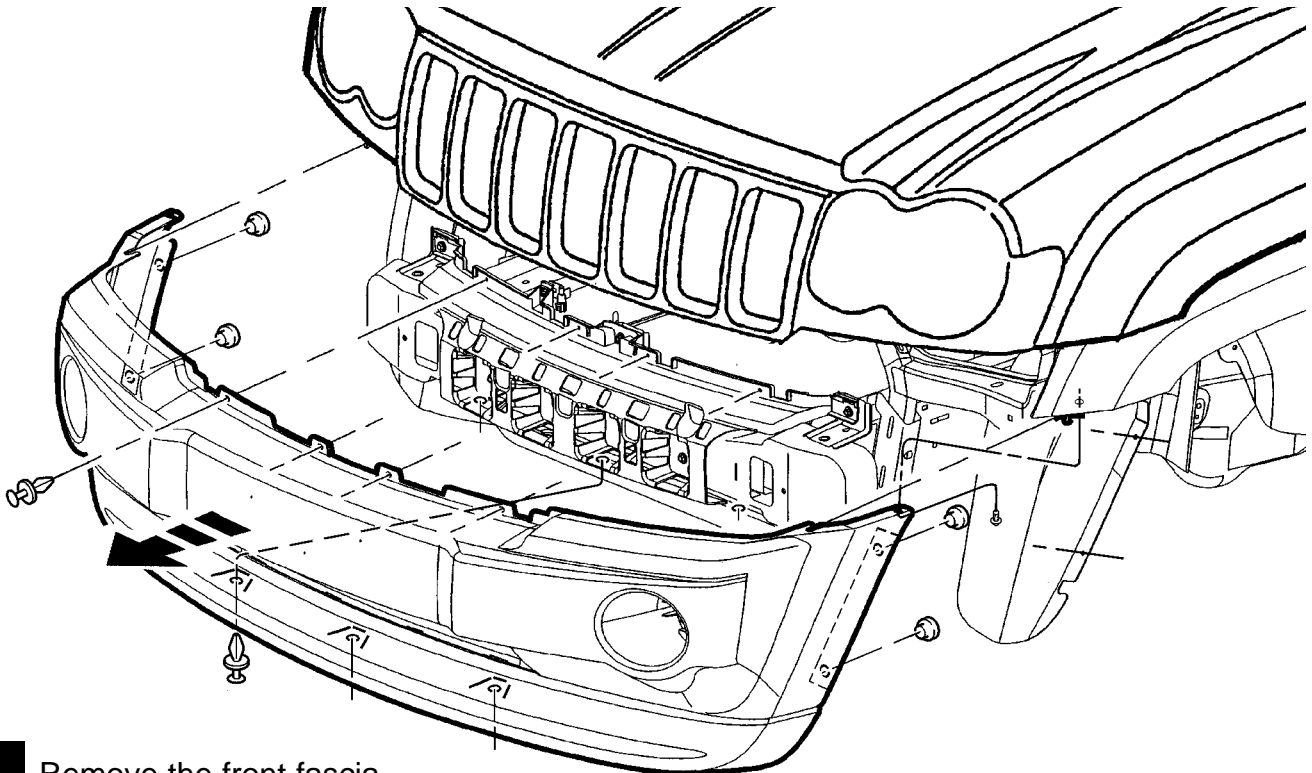
JEEP GRAND CHEROKEE / JEEP COMMANDER

Front Tow Hooks

MOPAR®

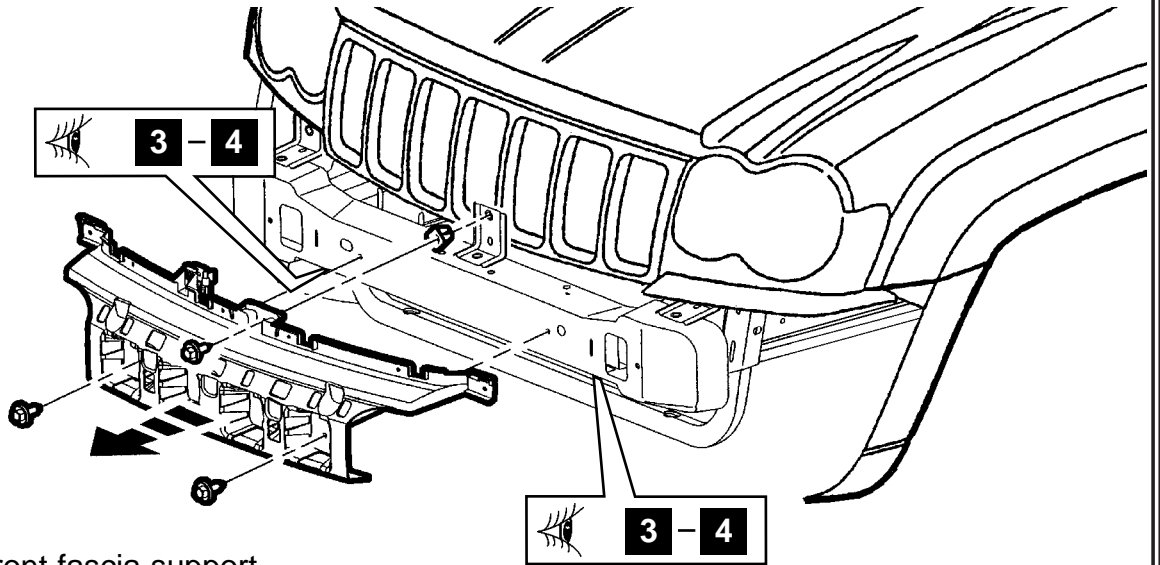


JEEP GRAND CHEROKEE

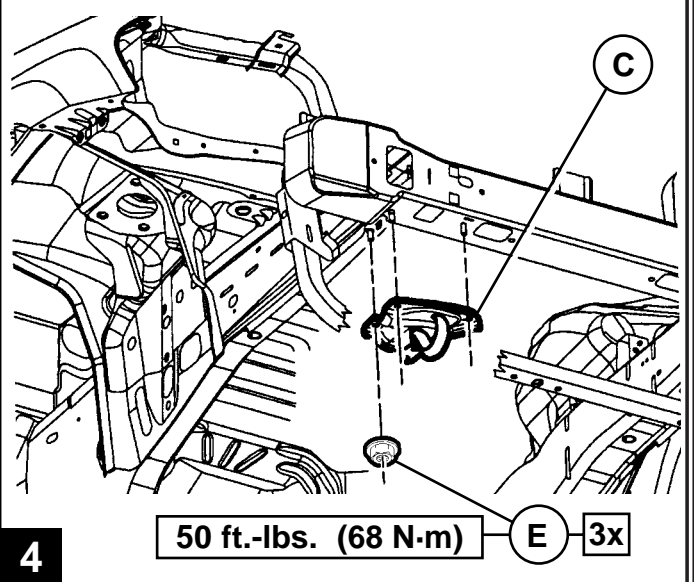
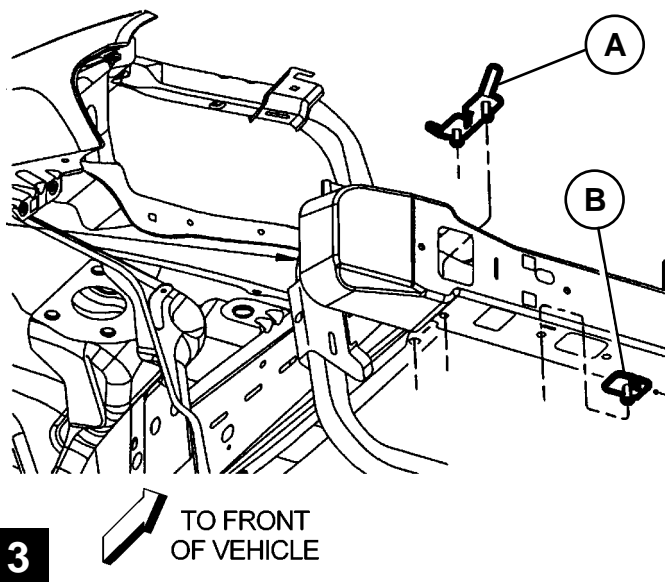


1 Remove the front fascia.

JEEP GRAND CHEROKEE



2 Remove front fascia support.

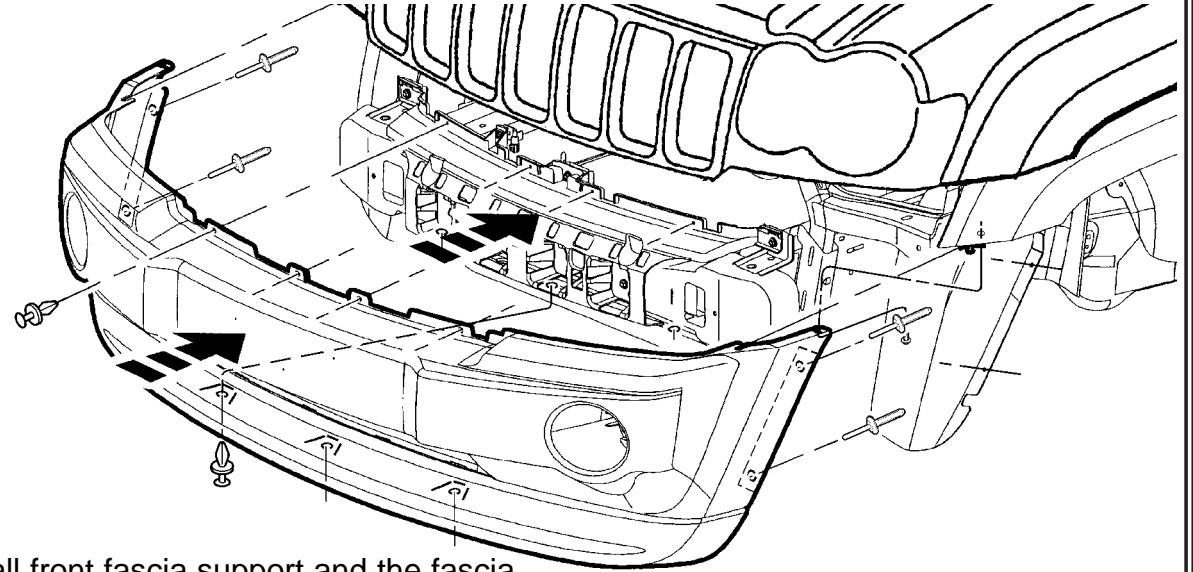


3

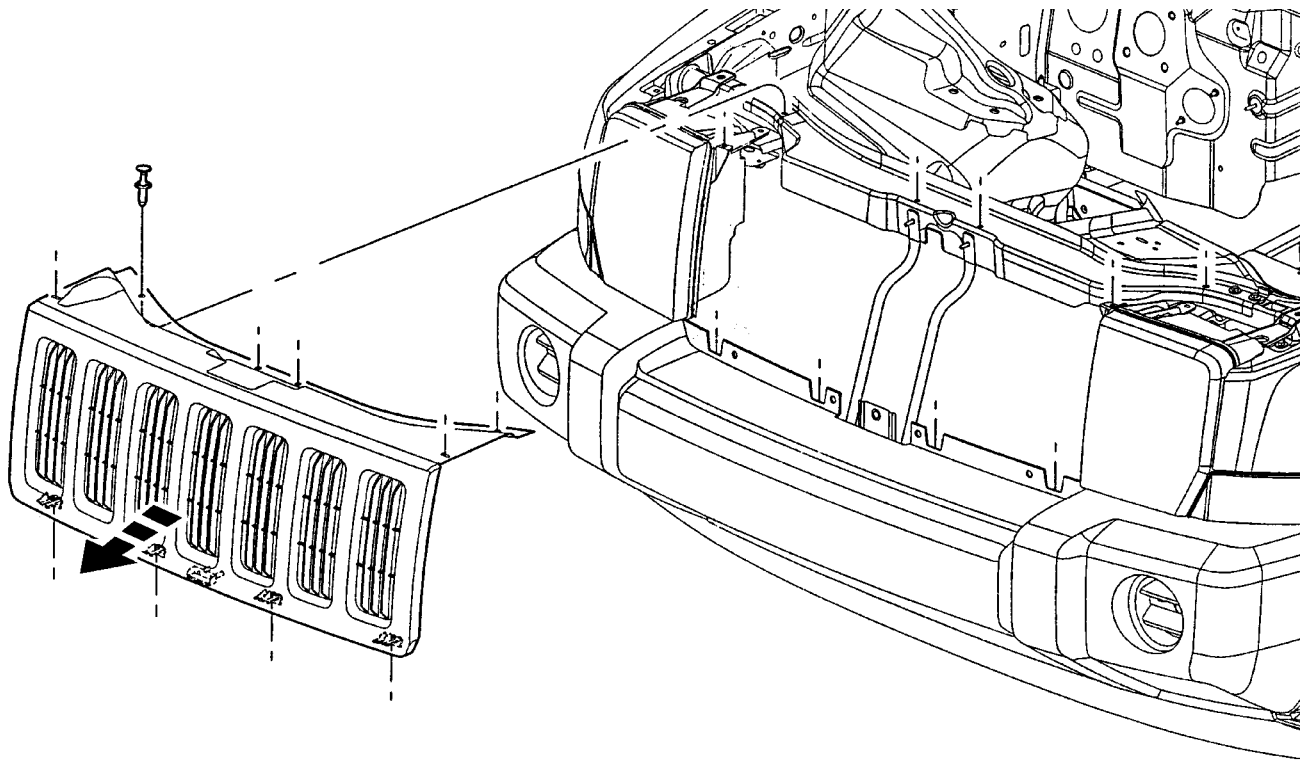
TO FRONT OF VEHICLE

4

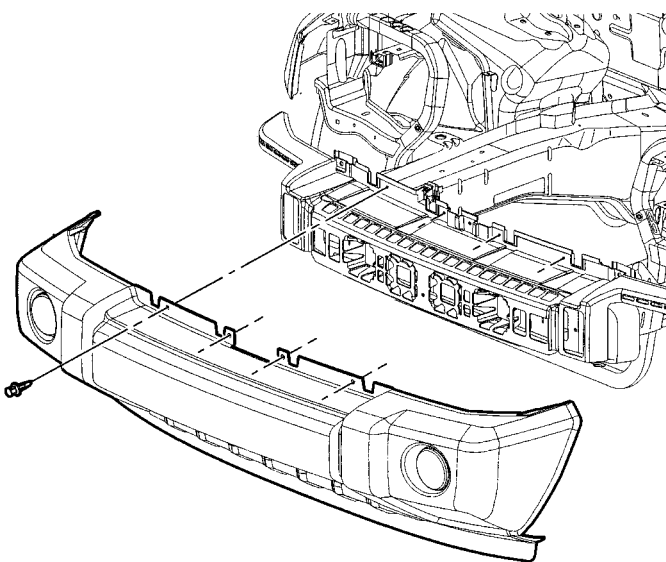
50 ft.-lbs. (68 N·m) E 3x




5 Re-install front fascia support and the fascia.

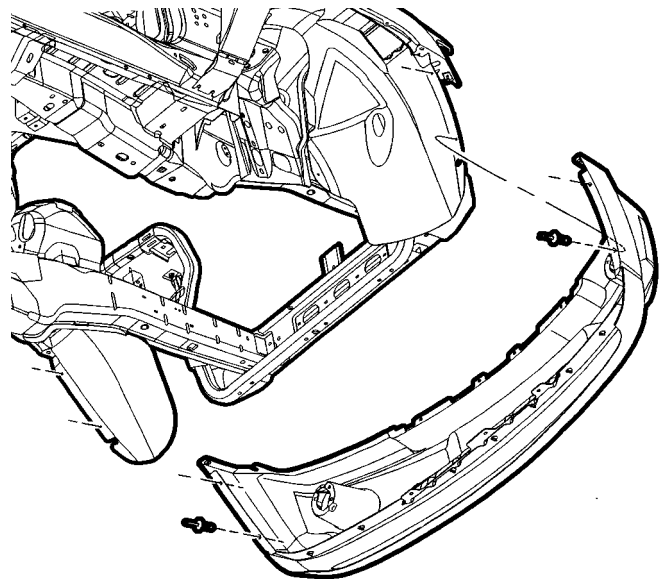


1 Remove the front grille.

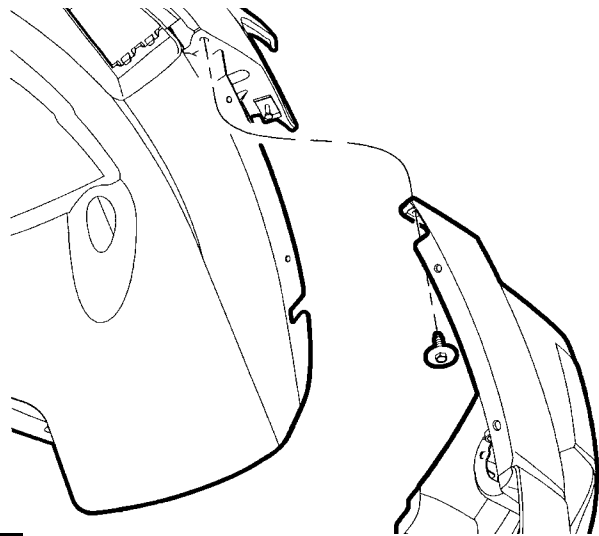


 **2 - 5** For front fascia removal.

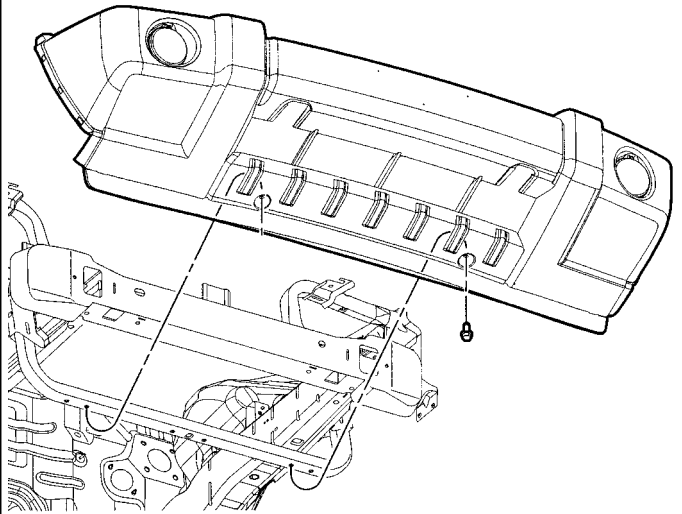
2 Remove (4) push pin fasteners.



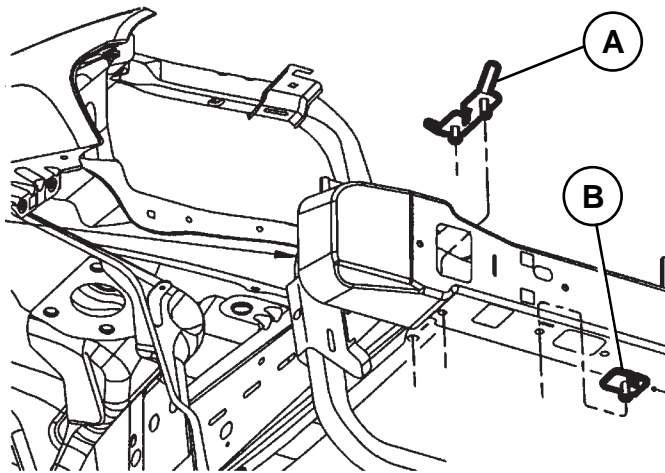
3 Remove (3) plastic rivets each side.



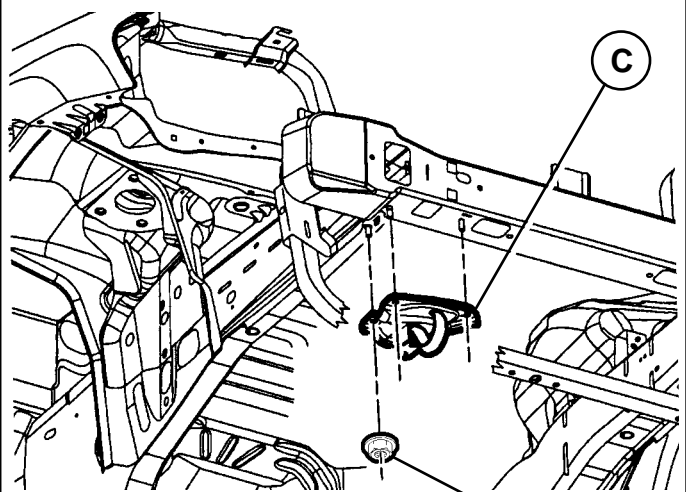
4 Remove (1) screw each side.



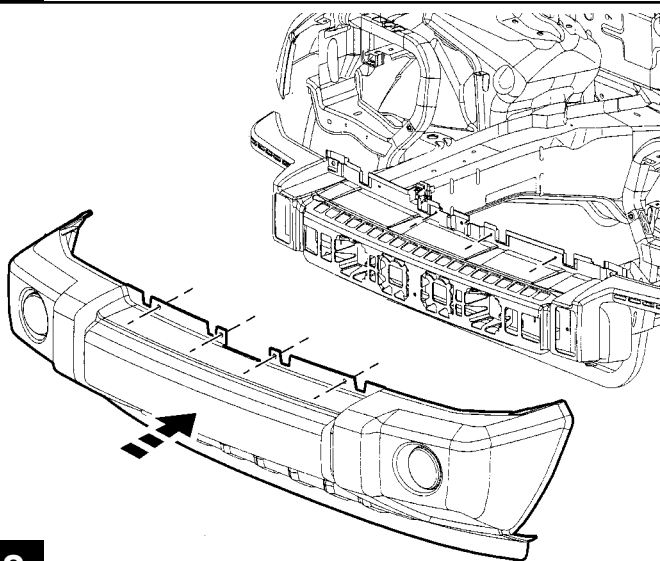
5 Remove (2) lower screws.



6 TO FRONT OF VEHICLE



7 50 ft.-lbs. (68 N·m) E 3x



8 Re-install front fascia.