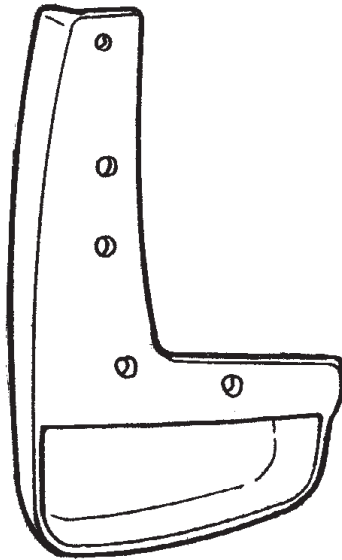




# JEEP / LIBERTY

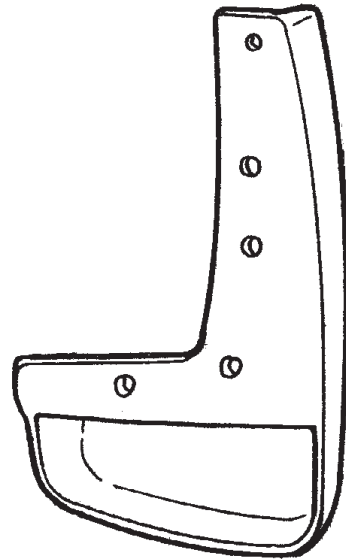
## Front Splashguard

Front Right

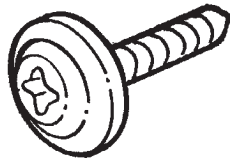


**A**

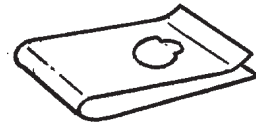
Front Left



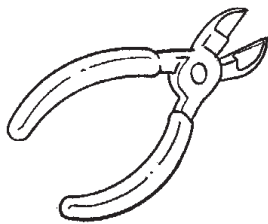
**B**



**C** 12X



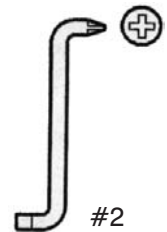
**D** 10X



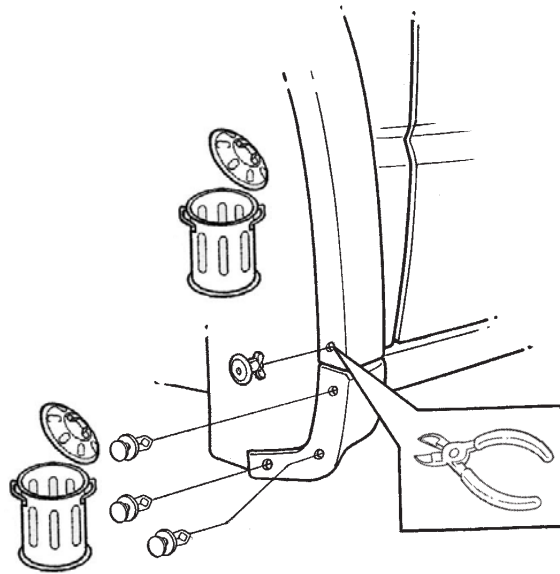
3/32" (2.5 mm)  
1/4" (6.3 mm)



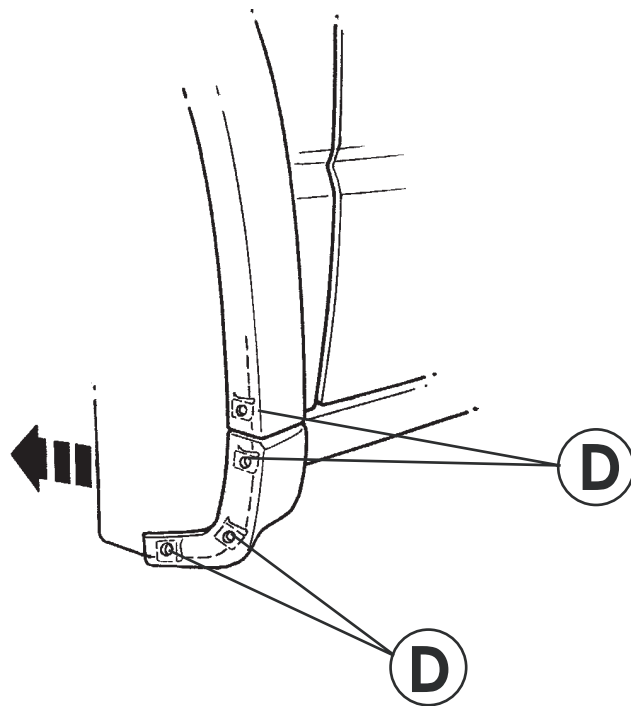
#2 Phillips  
Screw Driver



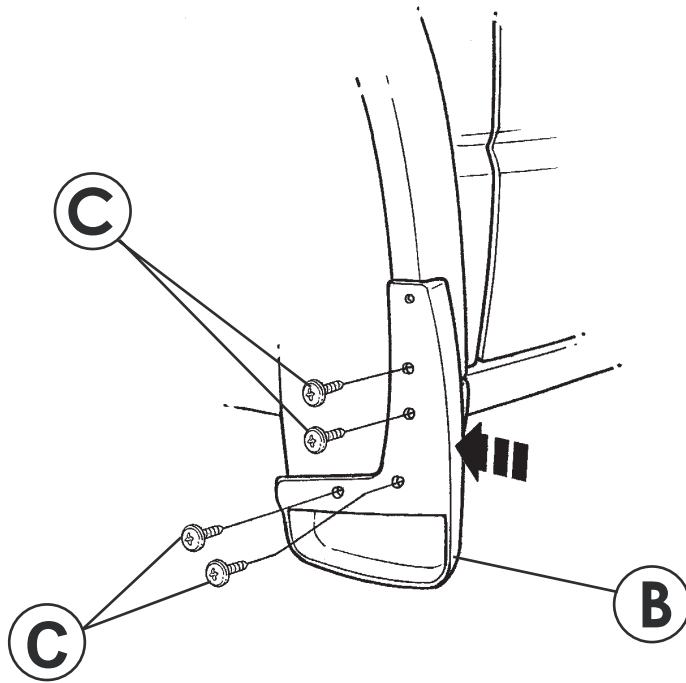
#2



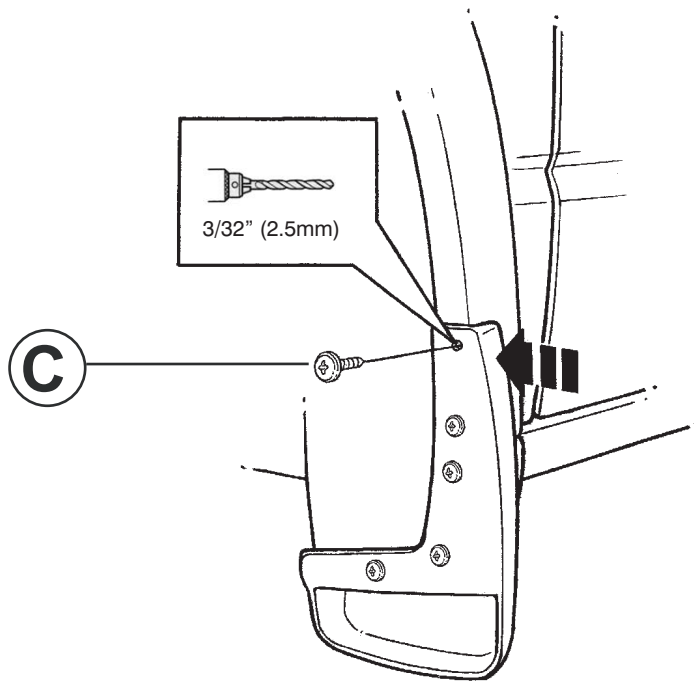
1



2



3



4

5

