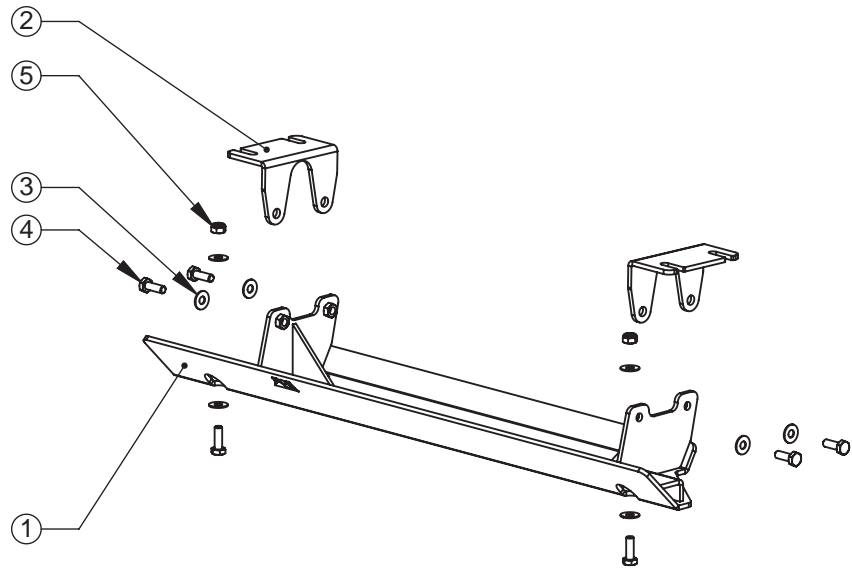


Jeep® JK Wrangler Front Skid Plate

Contents:

1. Skid Plate Weldment (1)
2. Mounting Bracket (2)
3. M10 Washer (8)
4. M10 x 30 Hex Bolts (6)
5. M10 Lock Nuts (2)



1. Loosen Swaybar Mounts (4 bolts). On Non-Rubicon models these need to be loosened approximately 1/2". On Rubicon Models, the bolts will need to be removed and the swaybar allowed to drop away from the frame.



2. Slide the Mounting Brackets in between the Swaybar Mounts and the Frame. On Rubicon Models, position the Mounting Bracket in the proper place and lift the swaybar back into place, re-installing original bolts but leaving them loose.



3. Position Skid Plate Weldment under vehicle and lift. Align and install rearmost Bolt on both sides (Figure 3a) but leave loose. Then, install front Bolts (Figure 3b) and leave loose. Note - Washers to be installed under bolt heads as illustrated in diagram on page 1.

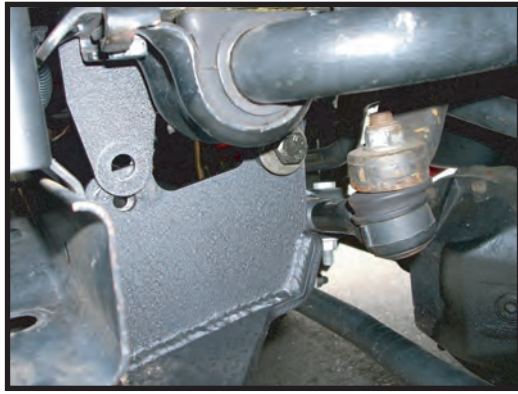


Figure 3a

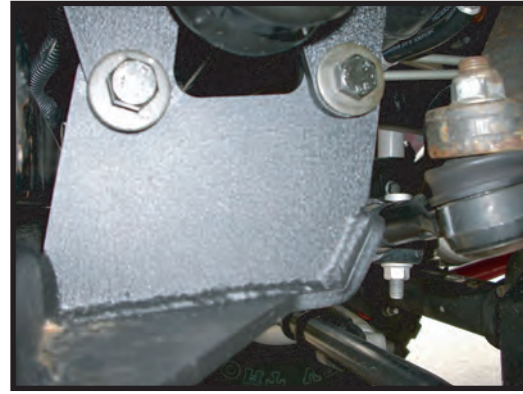


Figure 3b

4. Install bolts, washers, and locknuts that fasten Skid Plate to front crossmember. Do not tighten.



5. Tighten the Skid Plate Mounting Brackets to the Skid Plate Weldment (Figure 5a). Then tighten the factory Swaybar Brackets (Figure 5b). Finally, Tighten the Crossmember Bolts (Figure 5c).

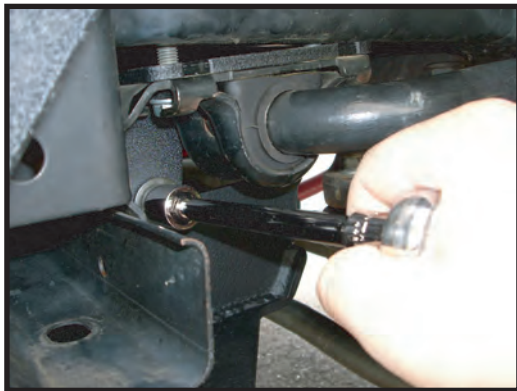


Figure 5a



Figure 5b



Figure 5c

Congratulations on the purchase and installation of a quality Rugged Ridge product!

© Copyright 2008, Omix-Ada

Omix-Ada Inc.
460 Horizon Dr. Suite 400
Suwanee, Georgia 30024