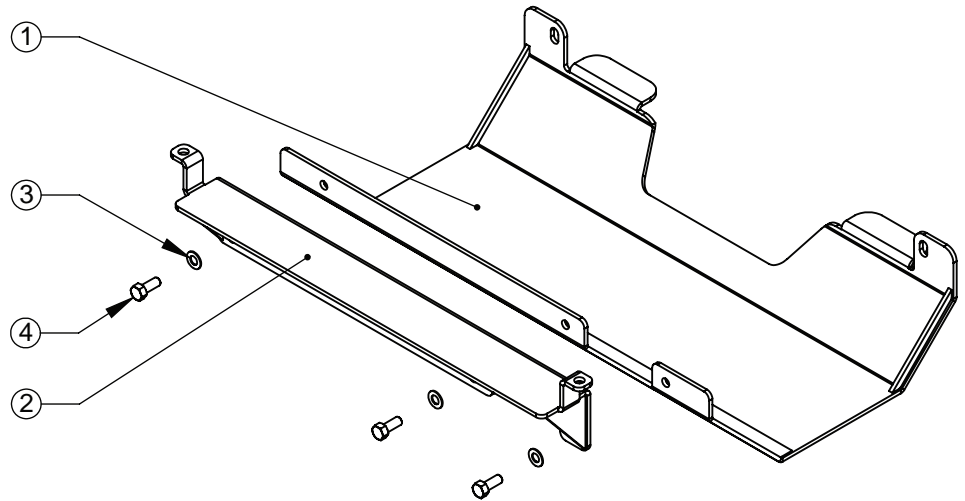


Jeep® JK Wrangler Muffler Skid Plate

Contents:

1. Skid Plate (1)
2. Mounting Bracket (1)
3. M12 Washer (3)
4. M12 x 30 Hex Bolts (3)



1. Remove the inner body mount nut on each side on the body mount above the rear axle. Loosen the body mount bolt 2-3 turns.



2. Slide the Mounting Brackets in between the frame and the exhaust. The muffler hangers may have to be removed to provide additional room. Position the mounting tabs of the Mounting Bracket onto the inner studs of the body mount. Replace nuts removed in Step 1, but do not tighten.



3. Remove the bumper mounting bolts on the rear crossmember. Position the Skid Plate under the muffler, with the center cutout oriented towards the back of the vehicle. Lift the Skid Plate into place and replace the bumper mounting bolts, but do not tighten them yet.



4. Install M12 Bolts and Washers through the Mounting Bracket and into the Skid Plate. Once all 3 have been started, tighten them.



5. Tighten the body mount nuts and bolts loosened in Step 1. Push up on Skid Plate until the horizontal tabs are contacting the rear crossmember, and tighten the bumper mounting bolts.



Congratulations on the purchase and installation of a quality Rugged Ridge product!

© Copyright 2009, Omix-Ada

Omix-Ada Inc.
460 Horizon Dr. Suite 400
Suwanee, Georgia 30024